



GLOBEFAN TECHNOLOGY CO., LTD.

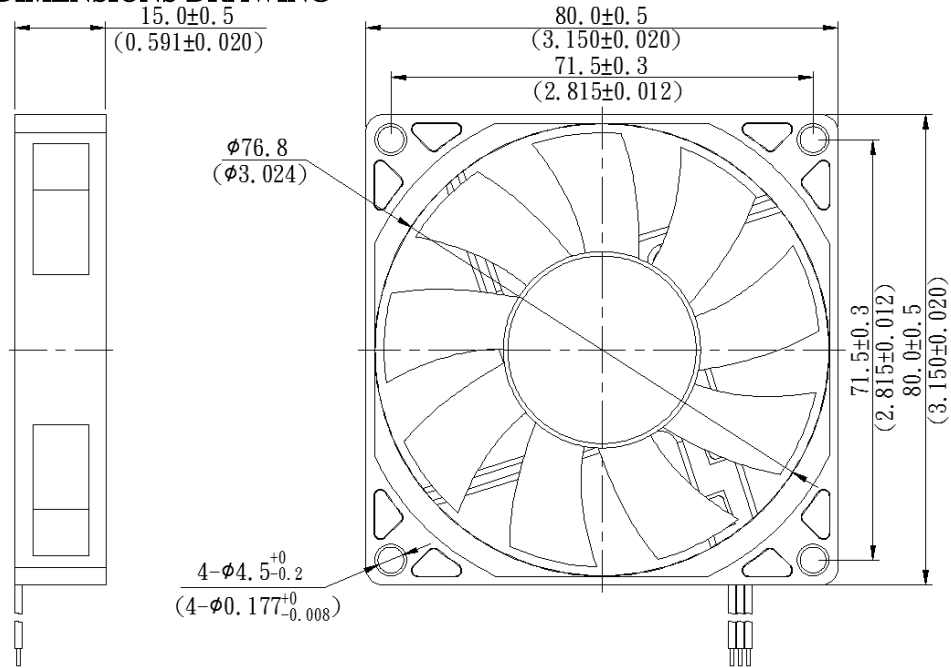
No. 28, 3 Lane Zhongxinjin Road, Jin Industry District Shoei Koou Village,

Da Laang Town, Dungguan City, Guangdong Province, China

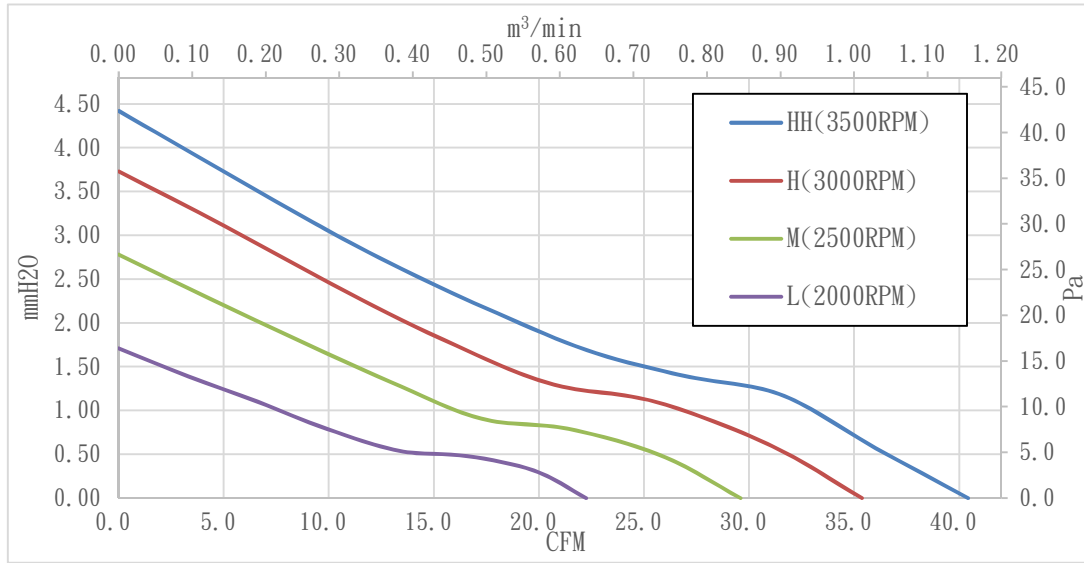
Tel : +86 769 83182898~9

Fax : +86 769 83182897

◆ DIMENSIONS DRAWING



◆ 80x80x15mm DC Axial Fan P/Q Curves (At rated speed)A Version



* BEARING TYPE

- Ball bearing
- Sleeve bearing

* Electrical Function

- Frequency Generator Output Signal
- RD (Lock Detection) Output Signal

* Material

Impeller: Plastic (PBT 30%GF)
Frame : Plastic (PBT 30%GF)

* Lead wires

UL1007 26AWG or Equivalent
Black Wire Negative (-)
Red or Yellow Wire Positive (+)
White Wire Signal (FG)

* Weight :54.4g (1.92 oz)

MODEL	Operating Voltage Range	Rated Voltage	Rated Current	Rated Input Power	Speed	Maximum Air Flow		Maximum Air Pressure		Noise
Part No.	VDC	VDC	Amp	Watts	R.P.M	m ³ /min	CFM	mmH ₂ O	Pa	dB(A)
B/S0801512HH-3M	6 ~13.8	12	0.35	4.2	3500±10%	1.14	40.42	4.42	43.35	36.4
B/S0801512H-3M	6 ~13.8	12	0.19	2.3	3000±10%	1.00	35.37	3.73	36.58	32.6
B/S0801512M-3M	6 ~13.8	12	0.13	1.6	2500±10%	0.84	29.59	2.78	27.26	27.1
B/S0801512L-3M	6~13.8	12	0.11	1.3	2000±10%	0.63	22.24	1.71	16.77	22.0
B/S0801524H-3M	16~ 26	24	0.20	4.8	3000±10%	1.00	35.37	3.73	36.58	32.6
B/S0801524M-3M	16 ~ 26	24	0.18	4.3	2500±10%	0.84	29.59	2.78	27.26	27.1
B/S0801524L-3M	16~ 26	24	0.15	3.6	2000±10%	0.63	22.24	1.71	16.77	22.0

* Function type is optional.

* The max. air flow and speed are measured in free air; max. air pressure is measured at close to zero air flow.

* Noise is measured in anechoic chamber in free air, one meter from intake side.

* All readings are typical values at rated voltage.

* Specifications are subject to change without notice.